



16 million
colors change



CCT
Adjustable



Dimmable
Saturation control



IP66
IP66
waterproof rate

Product Parameters

•Model Number:

FL086733

•Working Temperature:

-20-45°C

•Luminous Efficiency:

100LM/W

•Rated Current:

0.41A

•IP Rating:

IP66

•Power:

9W

•Colour Temperature:

2700K-6500K

•Illumination distance:

>10m

•Lifespan:

50000 hours

•RF:

2.4GHz

•Voltage:

DC24V

•Luminous Flux:

900LM

•CRI:

>80

•Beam Angle:

15°

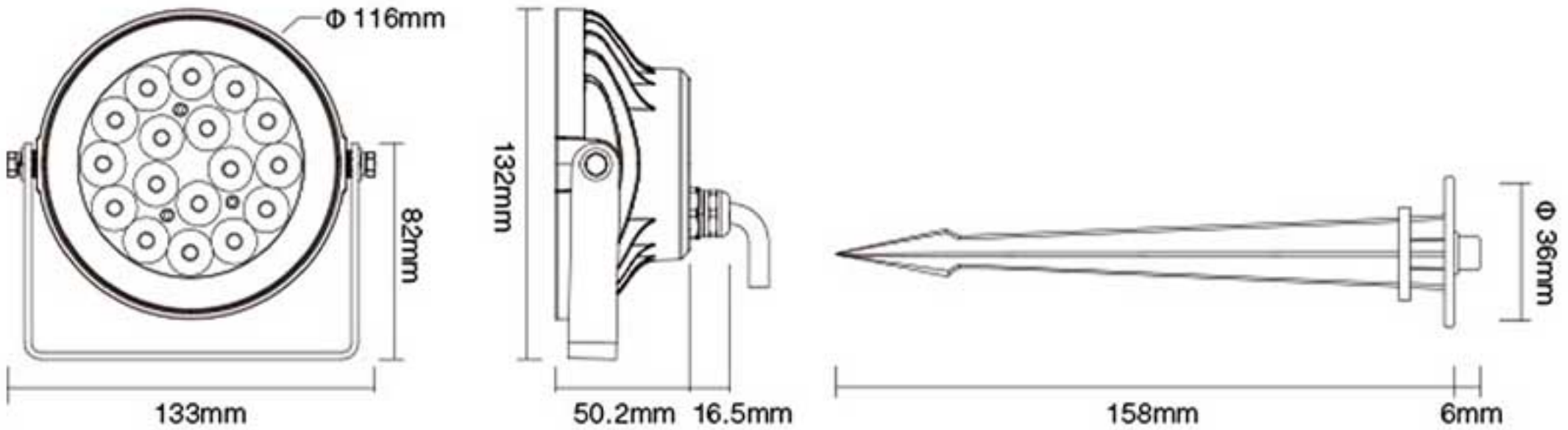
•Control Distance:

30m



FANTASY LIGHTS GROUP[®]
COMPLETE LIGHTING SOLUTIONS

9W RGB+CCT LED GARDEN LIGHT



1PC/BOX
G.W.: 0.485KGS



Smart lifestyle with beauty

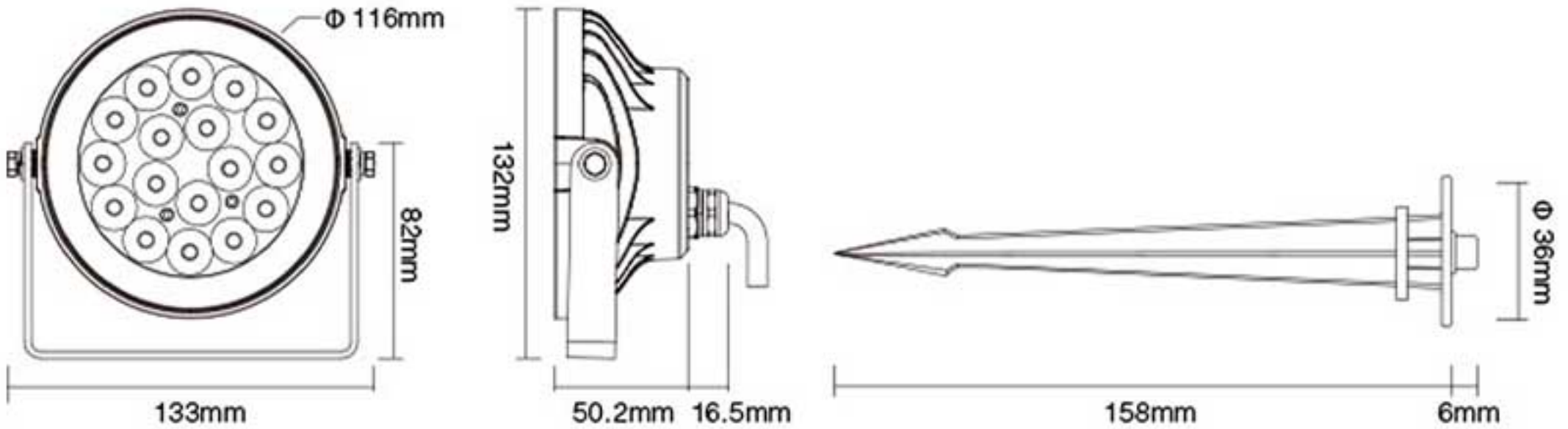
2.4GHz remote control, 16 million color change
CCT, brightness, saturation adjustable,
Make smart lighting atmosphere
meet all your requirement





FANTASY LIGHTS GROUP[®]
COMPLETE LIGHTING SOLUTIONS

9W RGB+CCT LED GARDEN LIGHT



1PC/BOX
G.W.: 0.485KGS



Smart lifestyle with beauty

2.4GHz remote control, 16 million color change
CCT, brightness, saturation adjustable,
Make smart lighting atmosphere
meet all your requirement





FANTASY LIGHTS GROUP®
COMPLETE LIGHTING SOLUTIONS

9W RGB+CCT LED GARDEN LIGHT

2.4GHz RF Remote Control

Controlled by 2.4GHz remote, control distance is 30M
Need purchased separately

Compatible with



Symmetrical and centralized light ray

Beam Angle 15°, Irradiation distance 10m





Waterproof rate is IP66

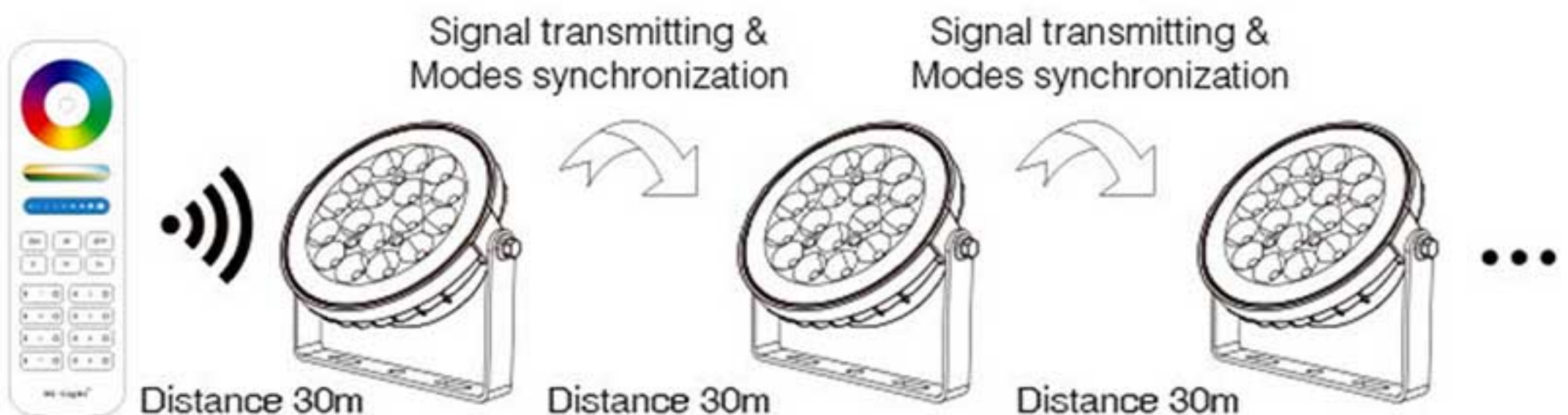


Signal transmitting

One garden light can transmit the signals from the remote control to another garden light within 30m, as long as there is a garden light within 30m, the remote control distance can be limitless.

Modes synchronization

Different garden lights can work synchronously when they are started at different times, controlled by the same remote, under same dynamic mode and within 30m distance.





High lumen LED Chips

Low power consumption
and luminance decrease;
Bright color and high brightness



Optical Lens

Anti-dazzling optical lens
diverging light scientifically
Symmetrical and bright light ray

waterproof and ventilation valve

balance differential pressure inside and outside
Avoid condensation inside the lamp



High efficiency heat dissipation

Integrative Aluminum design
Inserted thermal conduction
Protect light source lifespan



FANTASY LIGHTS GROUP[®]
COMPLETE LIGHTING SOLUTIONS

9W RGB+CCT LED GARDEN LIGHT

Power cable nut

Copper nickel plating material,
Waterproof and dustproof
Never Rusting



Anti Corrosion inserted pole

Barb design, longer and bigger



FANTASY LIGHTS GROUP®
COMPLETE LIGHTING SOLUTIONS

9W RGB+CCT LED GARDEN LIGHT

Application scene display

