



Product Description

With a combination of style and quality, this festoon lights harness come in 10 metre length with 20 B22 lampholders. The spacing between lampholders is 50cm. Bulbs are not included which allows you to select different colours of bulb such as warm white clear, opaque, red, green, blue, pink, white and yellow. This festoon light harness is manufactured using the latest manufacturing processes to ensure excellent durability.

High quality UV
resistant cabling



Screw Cap



Male Connector



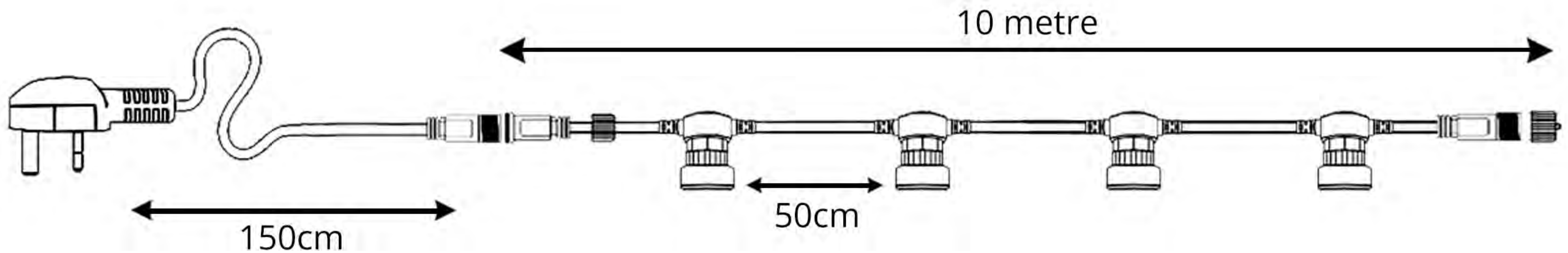
Female Connector



Product Specifications

- | | | |
|--|---|---|
| • Voltage:
220-240V | • Number of Lampholders:
20 B22 | • Length:
10 Metre |
| • Spacing:
50CM | • Cable:
Black Rubber | • Standards:
CE Standards |
| • Environment:
Weatherproof - IP44 | • Connectors:
Male & Female | • Wattage:
1W LED Recommended |
| • Connectable:
Yes (Up To 20 Sets) | • Power Lead:
Included | • Mounting:
Cable Ties/Screw Fixing |
| • LED Colours:
Choice of Bulb Colour | • Maintenance:
Minimal | |

Dimensions



This product is classed as Electrical or Electronic equipment and should not be disposed with other household or commercial waste at the end of its useful life. The goods must be disposed according to your local council guidelines.