



FANTASY LIGHTS GROUP®



**DARKSKY
APPROVED**

Reduces light pollution
Certified by DarkSky.org



Solar
Garden Light

THEMIS



THEMIS | Solar Garden Light

Introducing the THEMIS solar post top light, offering a new and futuristic design. Developed for our environment to protect native animals from blue-light harm and the unwanted glare of led lights. With a UWLR of <1% of the lighting distribution, the fitting provides an even lighting performance without light pollution. Simply put, THEMIS creates wildlife-friendly lighting for our environment. The combination of a MONO solar panel, and LiFePO4 battery, and a high-charging efficiency 96% MPPT solar charge controller provides an ultra-bright output of 190lm/W with the lowest lighting power setting.

The lighting output power and working period as well as colour temperature are client- programmable to ensure the fitting will perform well to your satisfaction. No matter in the middle east with plenty of sunshine or in north Europe with less sunshine, THEMIS is able to perform well with constant lighting brightness and sufficient time. The custom unique programming of THEMIS will ensure stable, continuous illumination through the night through all seasons.

The THEMIS is popular for gardens, parks, walk paths, and bicycle lanes to light up anywhere with the best lighting performance. The designed lifetime is up to 10 years without any maintenance.



**DARKSKY
APPROVED**

Reduces light pollution
Certified by DarkSky.org



LiFePO4
Battery



Intelligent
Control



High brightness
LED beads



Biodiversity
Protection



IP65
Waterproof

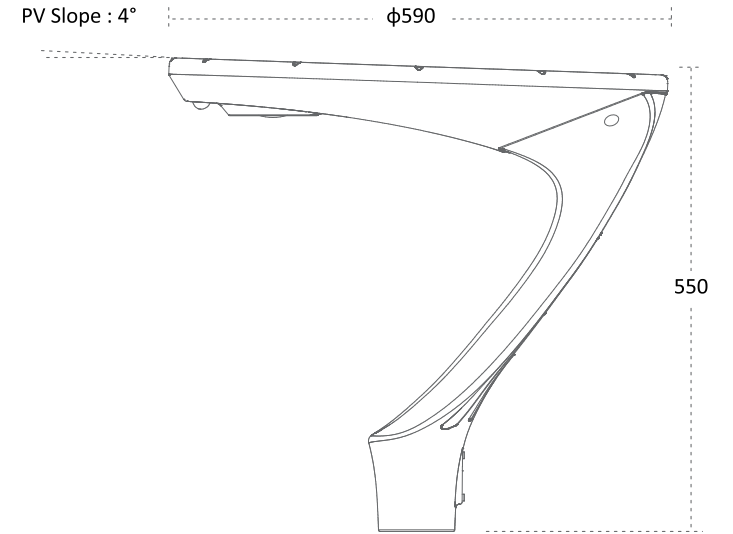


Designed
Aesthetically

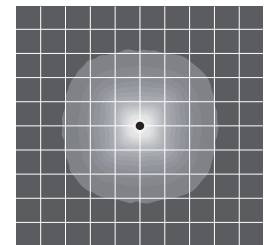
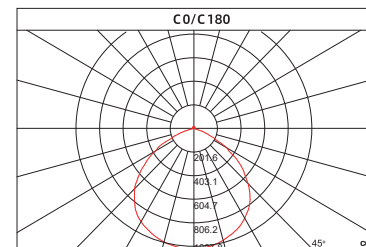


Remote
Control

Key Components



Lighting Performance





4H/6H/12H optional
changeable by remote



Dusk to Dawn
automatically ON/OFF

THEMIS



2.4G remote signals is
more stable performance



Sensitive PIR motion
sensor can be ON/OFF



Dual CCT is changeable
between two colors



6000 cycles brand new
LifePO4 battery unit

Remark:
The designs and specifications in this spec sheet are subject to change without prior notice for product improvement.



Lighting Performance

Luminous flux	2,800lm max
Peak LED power	18W
CRI	>80
CCT range (dual color)	2200K+3000K / 3000K+4000K / 3000K+6000K
LED lifetime	>100,000 hours
Light dimension	φ 590 * H550mm
Warranty	3 years



LiFePO4 Battery

Battery type	LifePO4 32700 6000mA 3.2V
Battery capacity	154WH 12.8V
Battery lifetime	6000 cycles @ D.O.D 80%
Charge Time	4 hours
Discharge time	>24 hours
Working temp.	-15°~70°
Battery autonomy	2-3 days, 3-5 days in motion detection mode



Control System

Control method	Automatic dusk to dawn
Solar charge controller	MPPT controller
Charging efficiency	>97%
Remote type	2.4G radio
Operation distance	up to 30 meters
Sensor type	PIR motion sensor
Adjustable function	CCT / LED power / Time / Working mode



Solar Panel

Peak Power	38W
Rated Voltage	18V
Cell Type	MONO crystallinesilicion
Cell Efficiency (%)	>22.5%
Lifetime	>20 years
Warranty	5 years

